

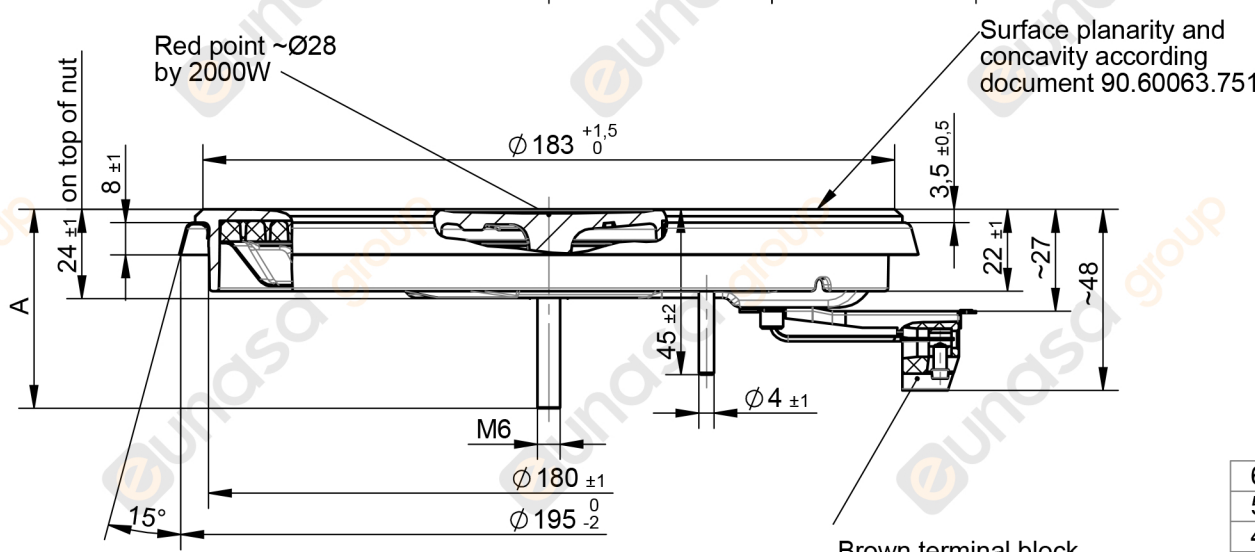
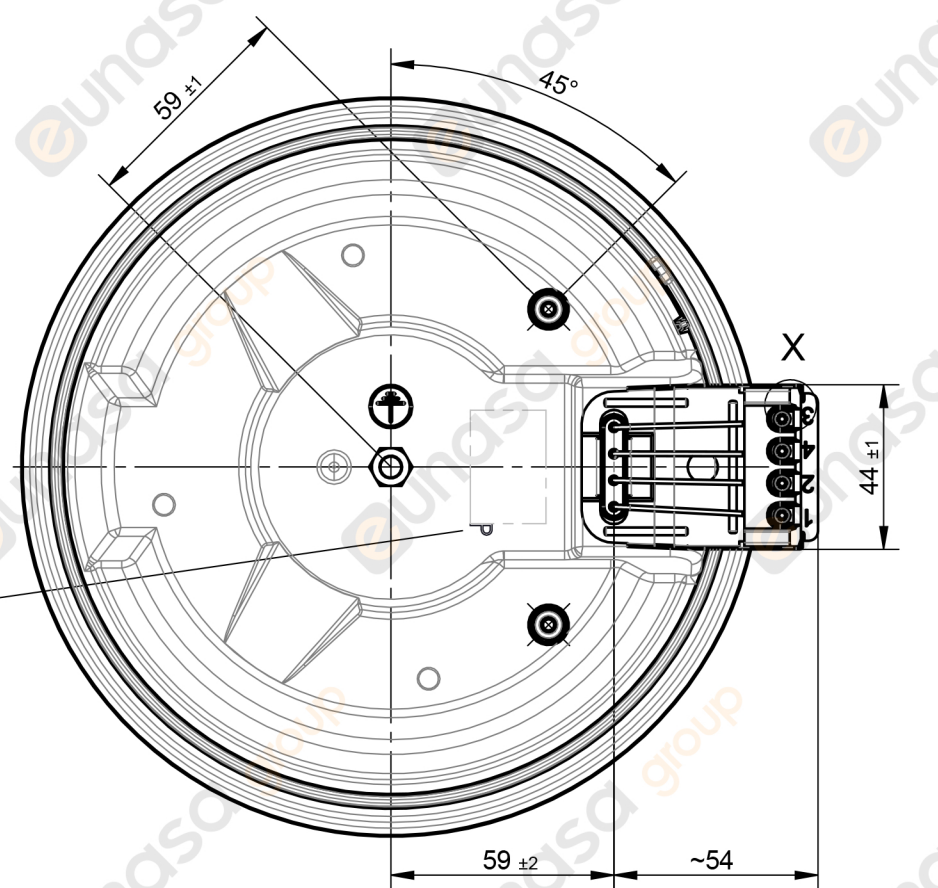
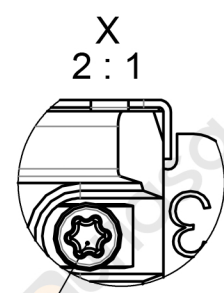
Doc.ID C00004906-013-03-A Doc. status 230 | released
 View date 2016-12-15 Viewed by BENDER
 Art.ID 18.18463.194-00/00A SAP Status 2F

	18.18463.018	
	2000W	440V~
	11 111	15 44

Voltage marking
 230 V without
 240 V blue
 400 V red
 other green

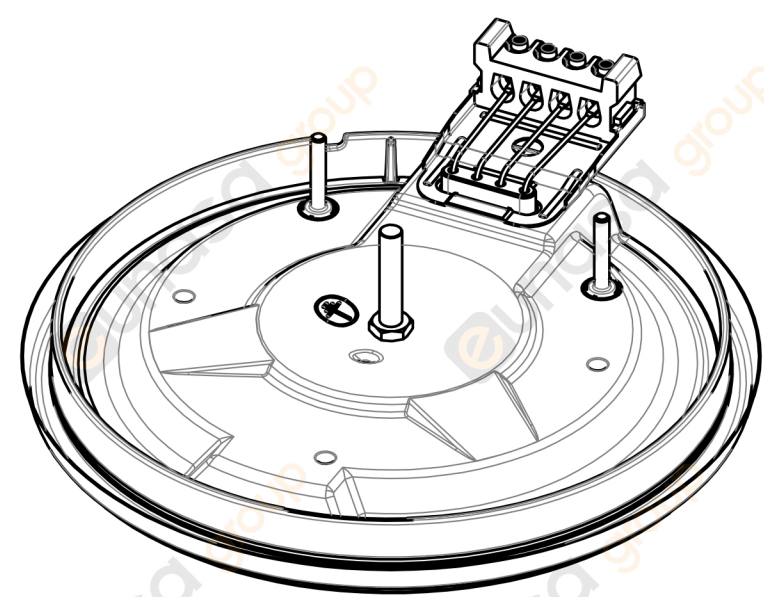
General usage and safety information for hotplates see document 90.60027.135

Marking for protector by 1500W

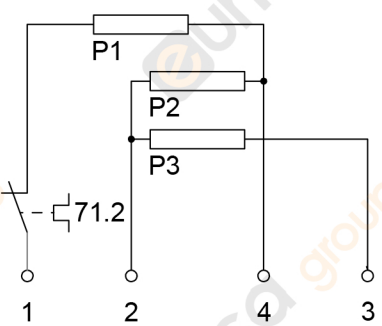


Surface planarity and concavity according document 90.60063.751

Brown terminal block by 2000W



Wiring diagram



6	18.18463.214	2000	200	850	300	850	2000	1150	850	300	220	175	X	X		53±3
5	18.18463.198	2000	400	850	300	850	2000	1150	850	300	220	175	X	X		53±3
4	18.18463.194	2000	230	850	300	850	2000	1150	850	300	220	175	X	X		53±3
3	18.18463.193	1500	240	500	275	725	1500	1000	725	275	200	145	X	X	X	53±3
2	18.18463.183	2000	240	850	300	850	2000	1150	850	300	220	175	X	X	X	53±3
1	18.18463.018	2000	440	850	300	850	2000	1150	850	300	220	175	X			53±3

Pos	Type	Power	Voltage	P1	P2	P3	6	5	4	3	2	1	ECO	Appro.	"A" in mm
-----	------	-------	---------	----	----	----	---	---	---	---	---	---	-----	--------	-----------

This document is exclusively committed to you for the agreed purpose. Any kind of duplication, utilization or communication of its content is prohibited, if not expressly conceded otherwise. Violators are committed to pay compensations. Any claims of existing or future property rights remain unaffected.				Blank No.		EN Mat.No.		Scale Unit	
				Material				mm	
				Surface Texture ISO 1302				Scale	
				General Tolerances ISO 2768-cK				1:2	
3	A01792	2016-10-13							
2	A01778	2016-10-03	CAD	Date	Name	Designation			
1	A01766	2016-08-22	Creat.	2016-10-04	MAKUCJ	EGO Hotplate 180			
Cha.	Information No.	Date	Proc.	2016-10-04	MAKUCJ				
F.Rel.	A01765	2016-08-17	Rel.	2016-10-05	LAPANJAA				

Origin		Repl.for		Repl.by		Ref.	
5		6		7		8	